

B Boring Head

59490D BH2084 Boring Head Sets



Features:

▶ Graduation, min. 0.005mm (Dia. 0.01mm).

Standard Accessories:

- Shank x 1pc
- Boring bar x 8pcs
- Inserts x 8pc

Optional Accessories:

- (See Fig. A)
- 59992-2036 Boring bar x 1pc
- Boring range: $\varnothing 110 \sim \varnothing 270$ mm
- Boring depth: 90mm

BH2084 SET

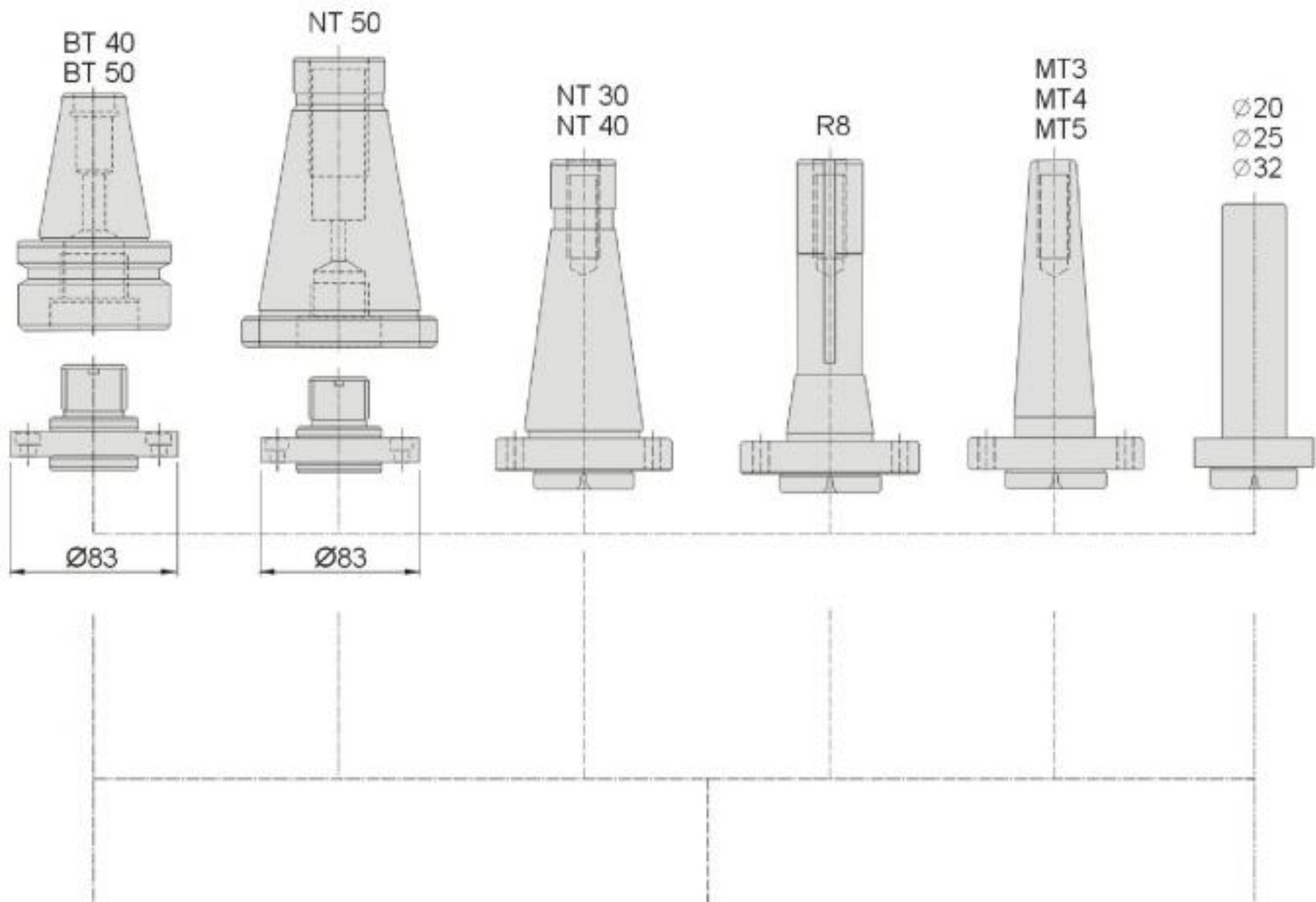
Order No.	Model	Spec.	Boring Range		N.W.
			Min.	Max.	
59490D-01	BH2084	Without shank	8	270	7.45
59490D-02	BH2084-BT40	M16xP2.0	8	270	9
59490D-04	BH2084-BT50	M24xP3.0	8	270	11.5
59490D-06	BH2084-R8	7/16"-20UNC	8	270	8.2
59490D-08	BH2084-NT30	1/2"-12UNC	8	270	8
59490D-10	BH2084-NT30	M12xP1.75	8	270	8
59490D-12	BH2084-NT40	5/8"-11UNC	8	270	8.4
59490D-14	BH2084-NT40	M16xP2.0	8	270	8.4
59490D-16	BH2084-NT50	1"-8UNC	8	270	11
59490D-18	BH2084-NT50	M24xP3.0	8	270	11
59490D-20	BH2084-MT3	1/2"-12UNC	8	270	8.1
59490D-22	BH2084-MT3	M12xP1.75	8	270	8.1
59490D-24	BH2084-MT4	5/8"-11UNC	8	270	8.3
59490D-26	BH2084-MT4	M16xP2.0	8	270	8.3
59490D-28	BH2084-MT5	1"-8UNC	8	270	9
59490D-30	BH2084-MT5	M24xP3.0	8	270	9
59490D-32	BH2084-MT3	TANGED	8	270	8.1
59490D-34	BH2084-MT4	TANGED	8	270	8.45
59490D-36	BH2084-MT5	TANGED	8	270	9.4

Straight Shank

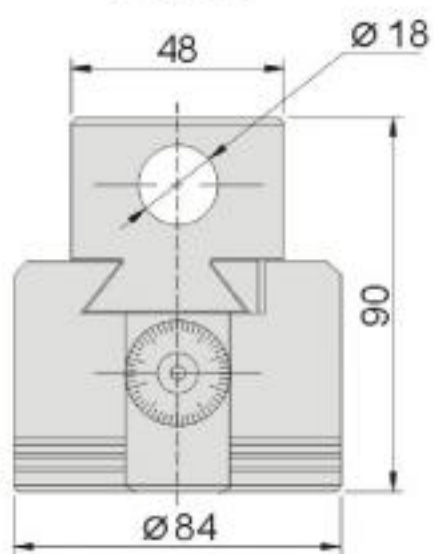
Order No.	Model	Spec.	Boring Range		N.W.
			Min.	Max.	
59490D-38	BH2084-20	$\varnothing 20 \times 60$	8	270	8
59490D-40	BH2084-25	$\varnothing 25 \times 60$	8	270	8.1
59490D-42	BH2084-32	$\varnothing 32 \times 60$	8	270	8.2



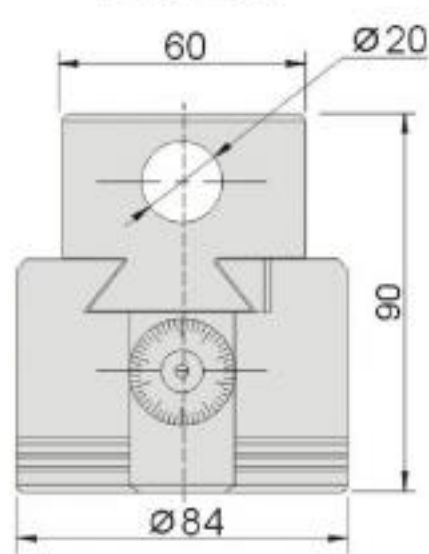
Boring Head+Shank assembly illustration



BHB



BHB1



BH2084

