

55006 PV100 V Blocks with C Clamp

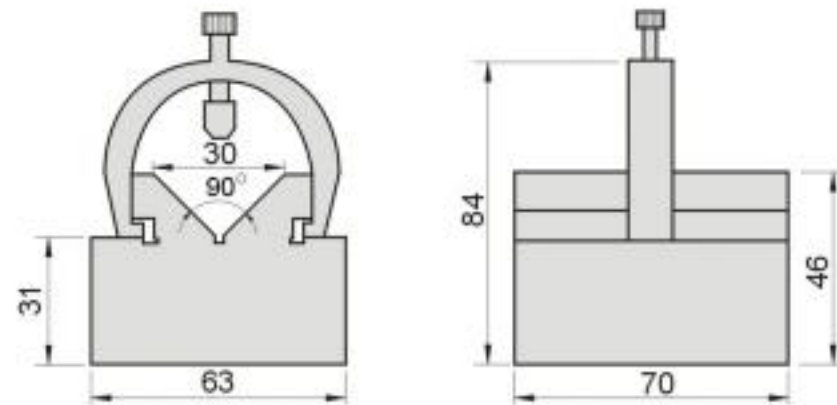


Sold in pairs

N.W. 2.8kg

Features:

- ▶ Made of tool steel with HRC56°~ 60°.
- ▶ Precisely ground and high accuracy of V groove.
- ▶ Suitable for processing steel rod or testing concentricity.
- ▶ Clamping range 3 ~ 20
- ▶ Height deviation ± 0.005 mm
- ▶ Squareness: 0.005mm
- ▶ V groove acc. within 0.005mm



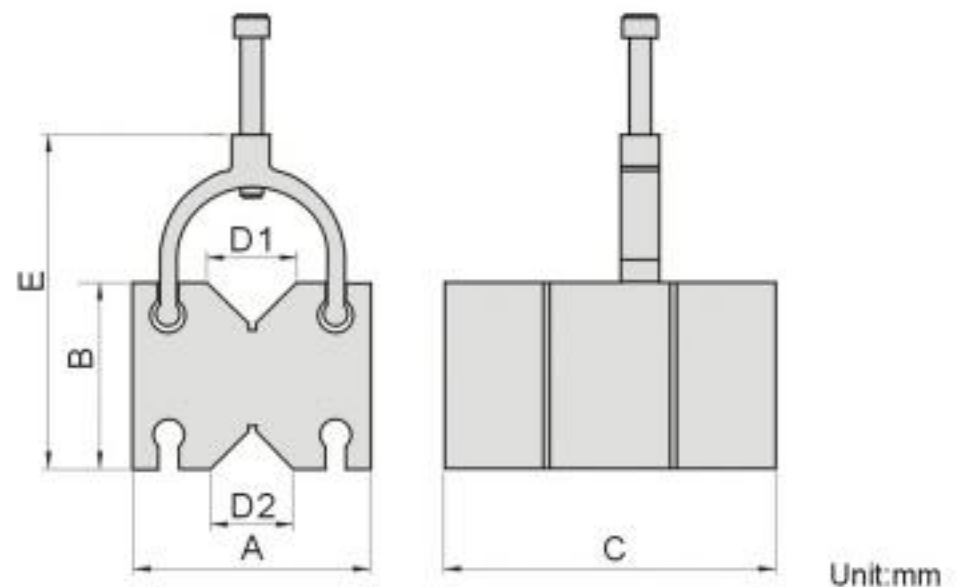
55008 PV150/200 V Blocks with C Clamp



Sold in pairs

Features:

- ▶ Suitable for machining, EDM, testing purposes.
- ▶ Clamping range: $\varnothing 3.5$ mm~ $\varnothing 33$ mm(PV150), $\varnothing 3.5$ mm~ $\varnothing 41$ mm(PV200)
- ▶ V groove parallelism 0.005mm / 100mm
- ▶ Squareness within 0.005mm / 100mm
- ▶ Made of tool steel with HRC56°~ 60°.



Unit:mm

Order No.	Model	A	B	C	D1	D2	E	N.W.
55008-01	PV150	64	45	70	29	24	90	1.3kg
55008-02	PV200	90	70	125	34	31	125.5	5.2kg