

# Magnetic Tools

**54930**

**BS330**

**Universal Arm Magnetic Base**



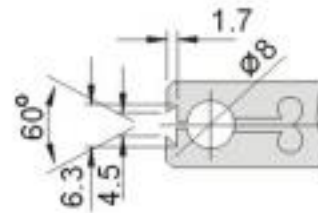
BS330L

BS330M

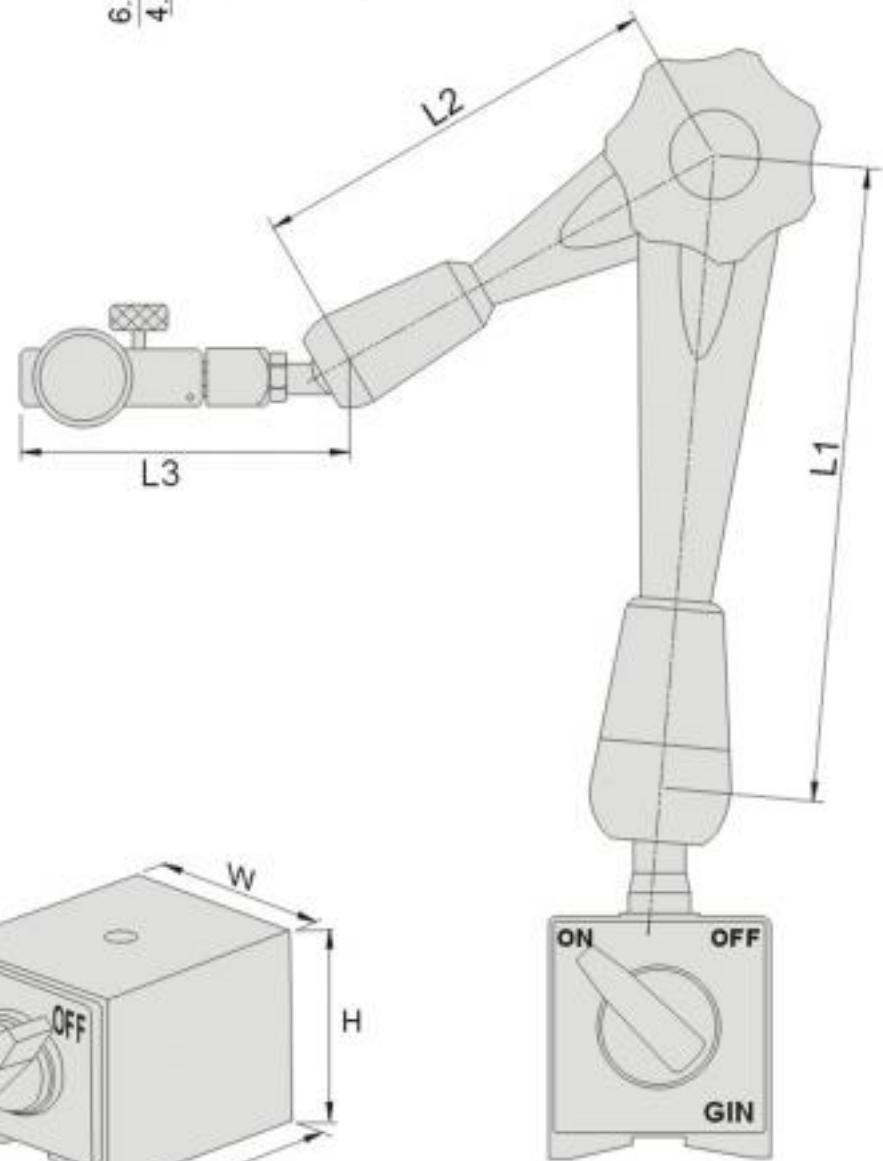
BS330S


## Features :


- ▶ Mechanical arm.
- ▶ Powerful ON-OFF magnetic base.
- ▶ Universal swivel clamp for all dial and test indicator.
- ▶ Holds  $\varnothing 8\text{mm}$  and  $1/4"$  dovetails and back lug.
- ▶ Instant fixation in any position.



Fine-tuning



Optional accessory:  P.D31  
Dial indicator

 Dial indicator please refer Page. D31~32

Unit:mm

Order No.	Model	Arm length		L3	Magnetic base spec.			Force (N)	N.W.
		L1	L2		L	W	H		
54930-01	BS330S	110	75	65	60	50	55	80kgf	1.5kg
54930-02	BS330M	150	98	65	60	50	55	80kgf	1.7kg
54930-03	BS330L	185	145	70	80	50	55	100kgf	2.2kg