

Magnetic Tools

54050

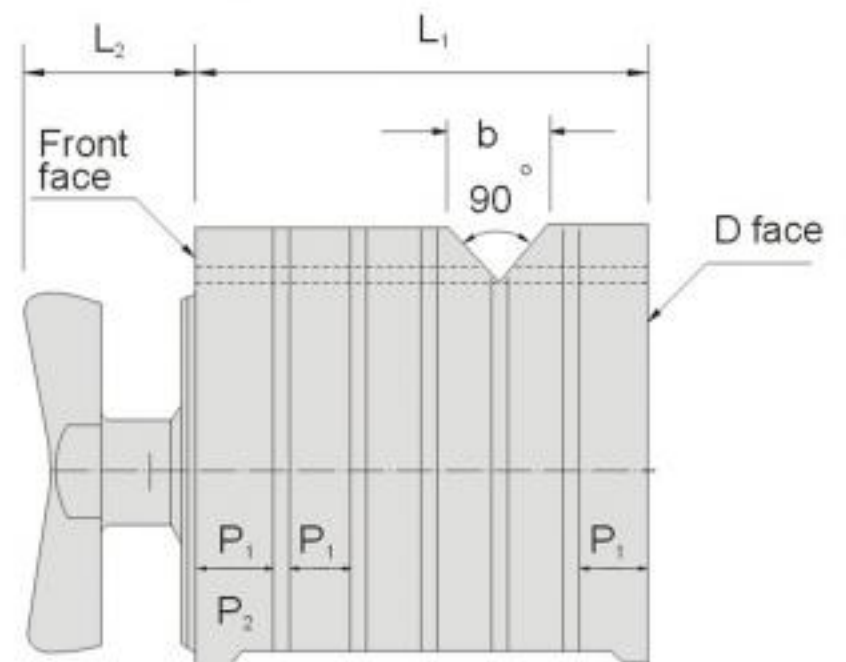
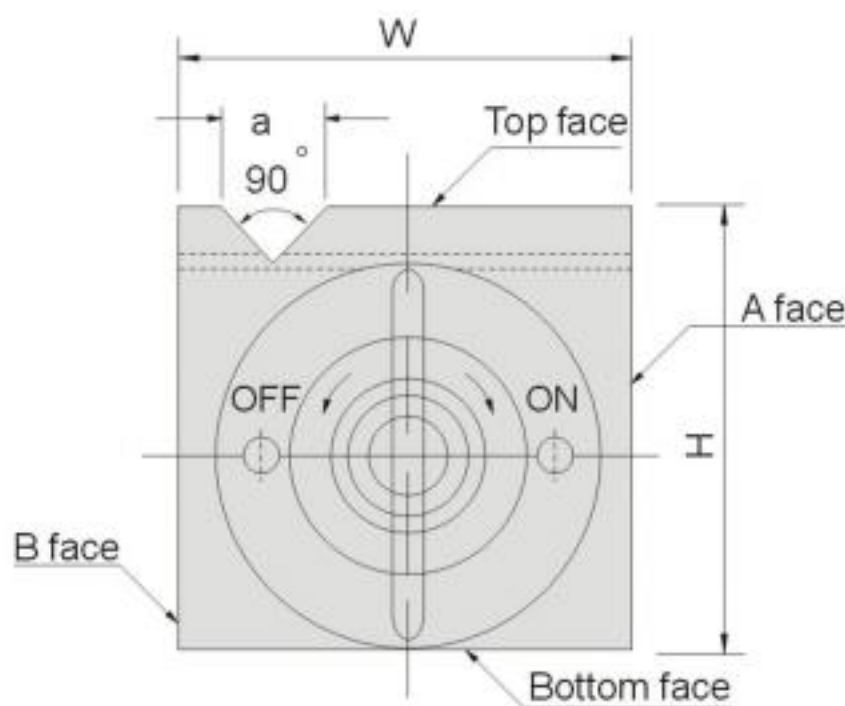
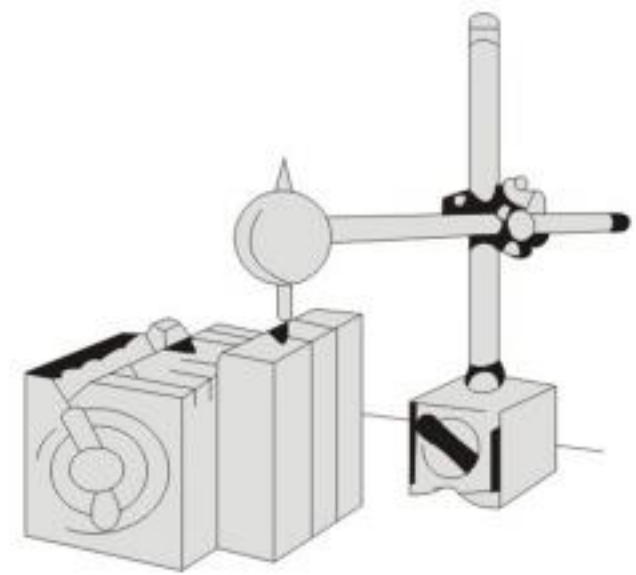
BA

Magnetic Square & V-block



Features :

- ▶ Suitable for holding round or rectangle shape steel for precision measuring and marking.
- ▶ Attraction is available on the upper face both sides and V-faces.
- ▶ V-face is provided at 2 sections each at right angle for easy application.
- ▶ Precisely ground and inspected.



Unit:mm

Order No.	Model	V-Face Holding Power		Flat-Face Holding Power	
		Stone Surface plate	Iron Surface plate	Stone Surface plate	Iron Surface plate
54050-10	BA1	50kgf	30kgf	50kgf	30kgf
54050-20	BA2	100kgf	100kgf	100kgf	100kgf

Order No.	Model	Specification								N.W.
		W	L1	H	L2	P1	P2	P3	a/b	
54050-10	BA1	100	100	100	43	17	4	12	26	6.3kg
54050-20	BA2	150	150	150	56	24.5	5	19	32	21.3kg