

# Punch Former

**51450**

PGA

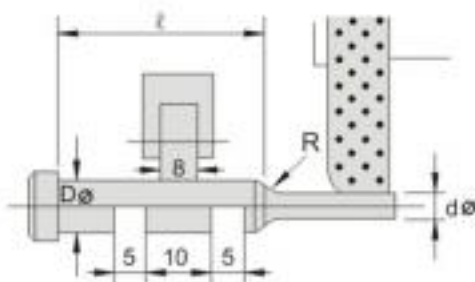
Punch Grinder

PUNCH FORMER

PAT: 208219  
ZL 02 2 52581.5

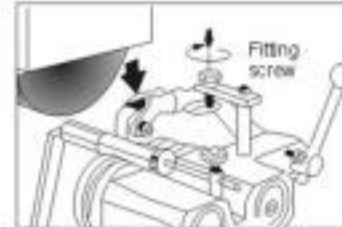
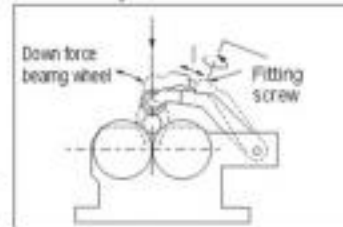
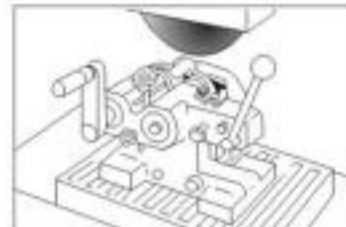
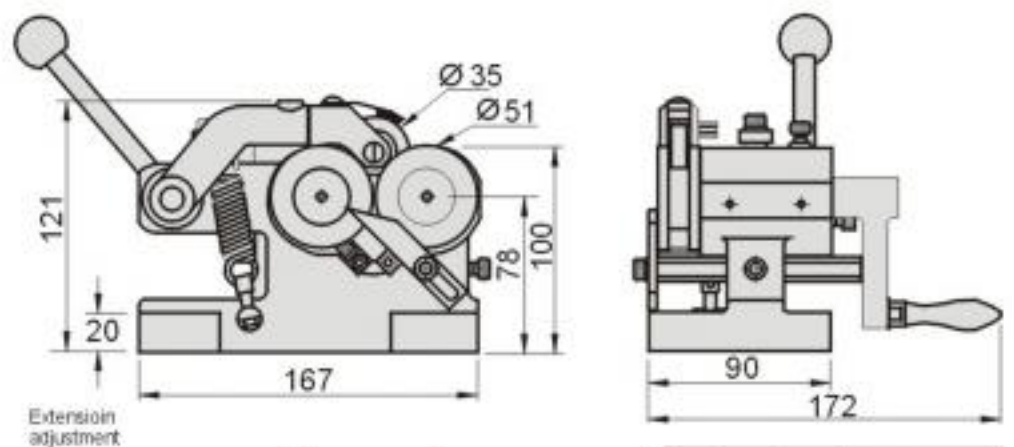


N.W. 5.6kg



## Features :

- ▶ PGA can be applied on surface grinder and automatically find concentricity for cylindrical grinding.
- ▶ The rollers can be used to adjust the workpiece before grinding.
- ▶ Use screw pressure for firm holding as shown in the picture for heavy grinding.
- ▶ Accuracy of roller is within 0.005mm. It can grind punches of outside diameter from 1.5 to 25mm, extended grinding length is within 5-35mm.



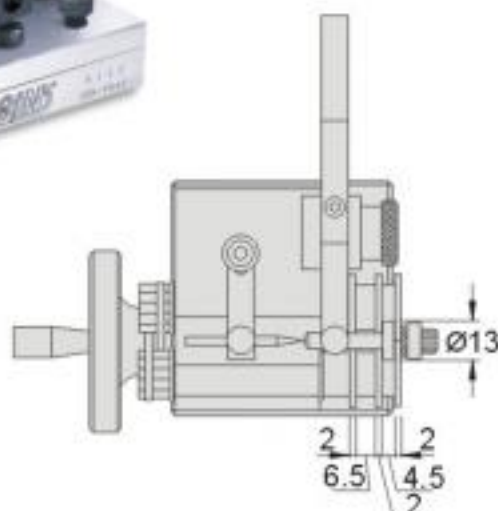
**51500**

PGAS

Punch Grinder



N.W. 2.5kg



## Features :

- ▶ PGAS can be applied on surface grinder and automatically find concentricity for cylindrical grinding from  $\text{Ø}0.5$  to  $\text{Ø}10\text{mm}$ , for longer workpiece job, refer to 55441 PGCF model.
- ▶ For measuring concentricity purpose, PGAS can measure from  $\text{Ø}0.5$  to  $\text{Ø}25\text{mm}$  with accuracy 0.003mm.

